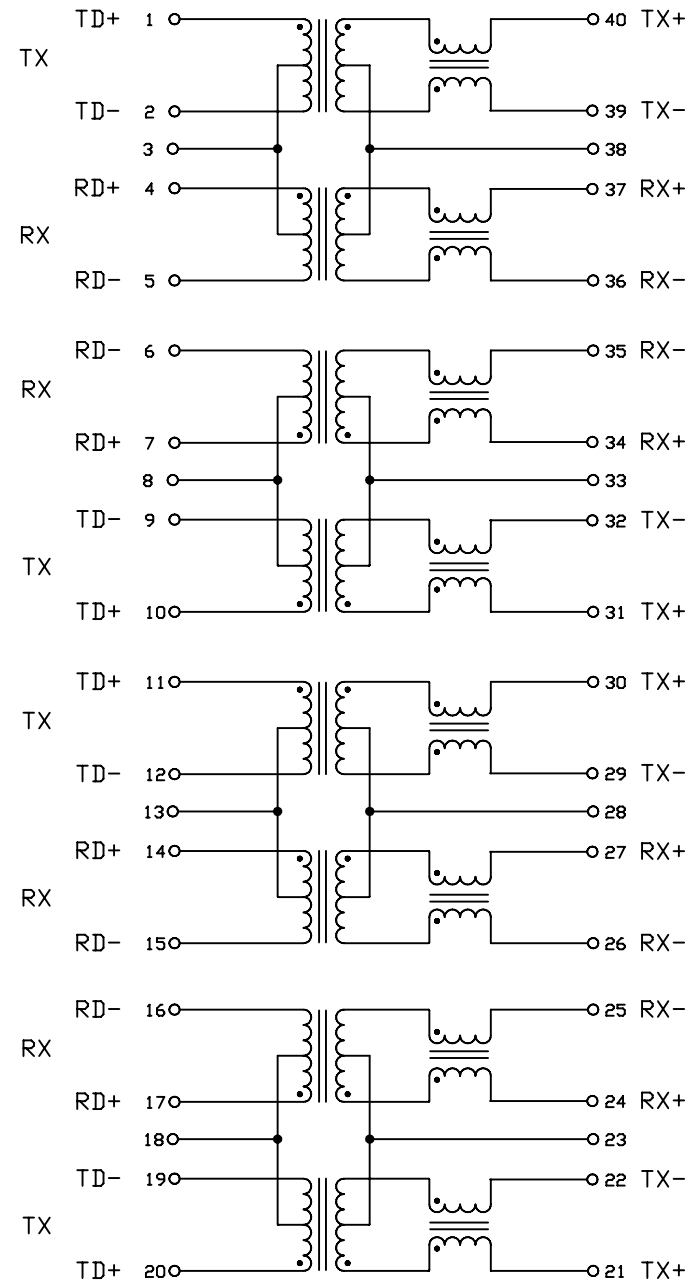


DIMENSIONS : mm
UNLESS OTHERWISE SPECIFIED ALL TOLERANCES ARE ± 0.25

ELECTRICAL CHARACTERISTICS : (H1164 COMPATIBLE)

1. INSULATION HI-POT(PRI./SEC.) : 1500Vrms
2. TURN RATIO (±5%) : TX = 1CT : 1CT
RX = 1CT : 1CT
3. DCL : 350uH MIN. 100KHZ/0.1V AT 8MA DC BIAS
4. CW/W : 56pF MAX.
5. LEAKAGE INDUCTANCE : 0.4uH MAX.
6. INSERTION LOSS : 0.1-100MHZ = -1dB MAX.
7. RETURN LOSS (dB MIN.) : 2-30MHZ 40MHZ 50MHZ 60-80MHZ
-18 -14.5 -13.5 -12
8. CROSS TALK (dB MIN.) : 1KHZ 30MHZ 60MHZ 100MHZ
-65 -50 -40 -33
9. RISE TIME : 3.0ns MAX.
10. COMMON MODE REJECTION : 1-60MHZ = -37dB MIN.
60-200MHZ = -25dB MIN.



REVISIONS						Atech® Atech Technology Co. Ltd. TEL:0212794-6667 FAX:0212794-8004		TITLE 10/100 BASE-TX TRANSFORMER	
B	H = 6.2	12/24/2003	BART	AL	SUEDY	UNITS: M/M		DWG. NO. ATPL-120A	
A	H = 6.1	05/19/2003	RORY	AL	SUEDY	SAFETY		SHEET 1 OF 1	
	RELEASE	01/06/2003	DOLLY	AL	SUEDY	DATE		DRAW	
NO.	DESCRIPTION	DATE	BY	CHK	APPD	01/06/03		Pair	